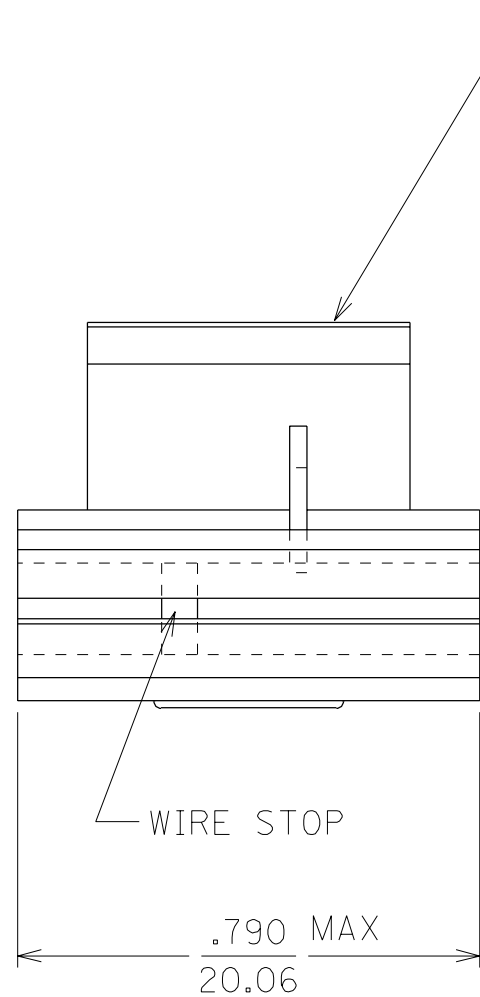
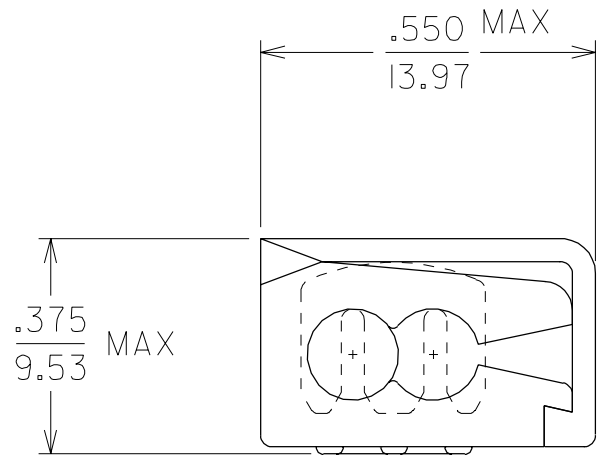
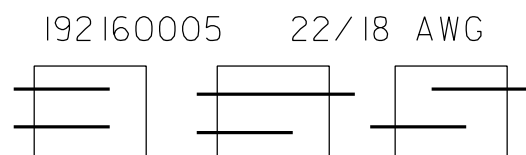
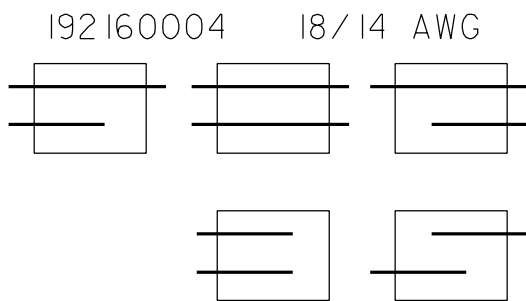
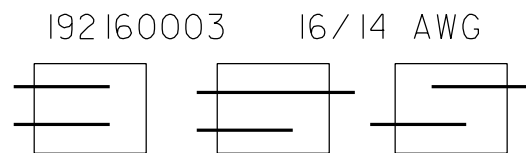
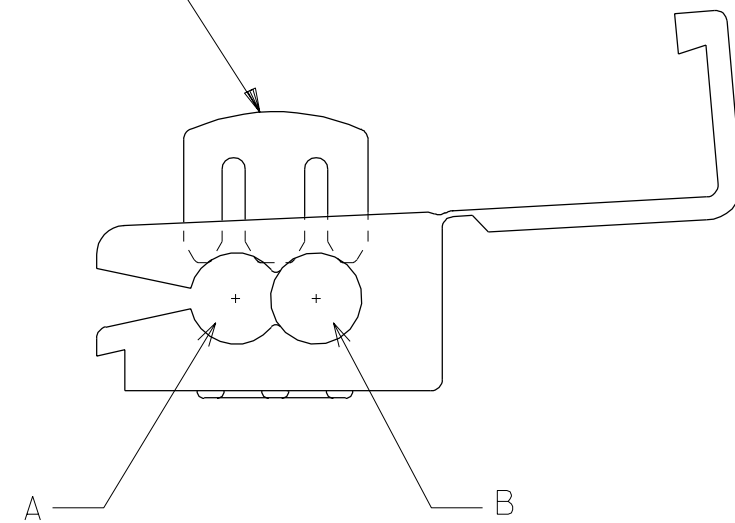


MATERIAL NUMBER	ALTERNATE NUMBER	WIRE SIZE	STOP	COLOR	HOLE "A"	HOLE "B"
192160003	ML-1614	16-14	YES	BLUE	.130 (3.30)	.170 (4.06)
192160004	ML-1814	18-14	NO	WHITE	.130 (3.30)	.140 (3.56)
192160005	ML-2218	22-18	YES	RED	.130 (3.30)	.160 (4.06)



HOUSING MATERIAL: POLYPROPYLENE

BARB MATERIAL: BRASS
PLATING: ELECTRO-TIN



POSSIBLE WIRE CONFIGURATIONS

CUSTOMER DRAWING

A	RELEASE NEW DOC. ETC2001-0233 00/12/15 EDB
LTR.	REVISIONS

DIMENSIONS SHOWN (METRIC) INCH		REVISE ONLY ON CAD SYSTEM	
UNLESS OTHERWISE SPECIFIED TOLERANCES: ANGULAR ± 1/2°		TITLE MULTI-LOCK	
		molex ETC INC. PINELLAS PARK, FLA. 33781 U.S.A.	
		SHEET NO. 1 OF 1	DATE 00/11/22
		DRAFT WHERE APPLICABLE MUST REMAIN WITHIN DIMENSIONS	
		PART NO. SEE TABLE	DRWG. NO. SD-19216-003
DRWG. BY EDB	CHK'D. BY HEB	FILE NAME SD19216003 DGN	THIS DRAWING CONTAINS INFORMATION THAT IS PROPRIETARY TO MOLEX-ETC INC. AND SHOULD NOT BE USED WITHOUT WRITTEN PERMISSION.
APP'D. BY RWD	SCALE NO:NE	DIV. ET	SIZE B